

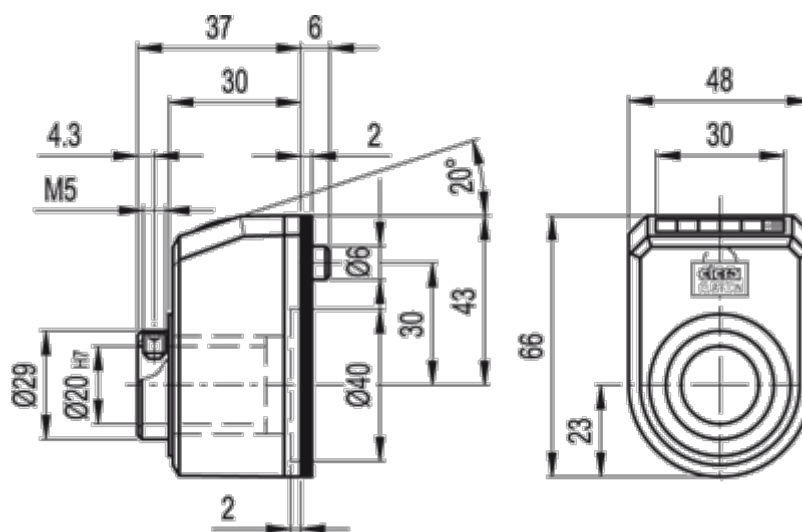
Data Sheet



Article number: 2307083697

Description: E+G Direct drive position indicator
DD52R-FR-0002.5-D-C3 (Grey)

Measures



Max rpm = 1000